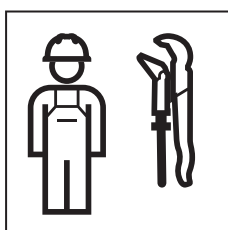


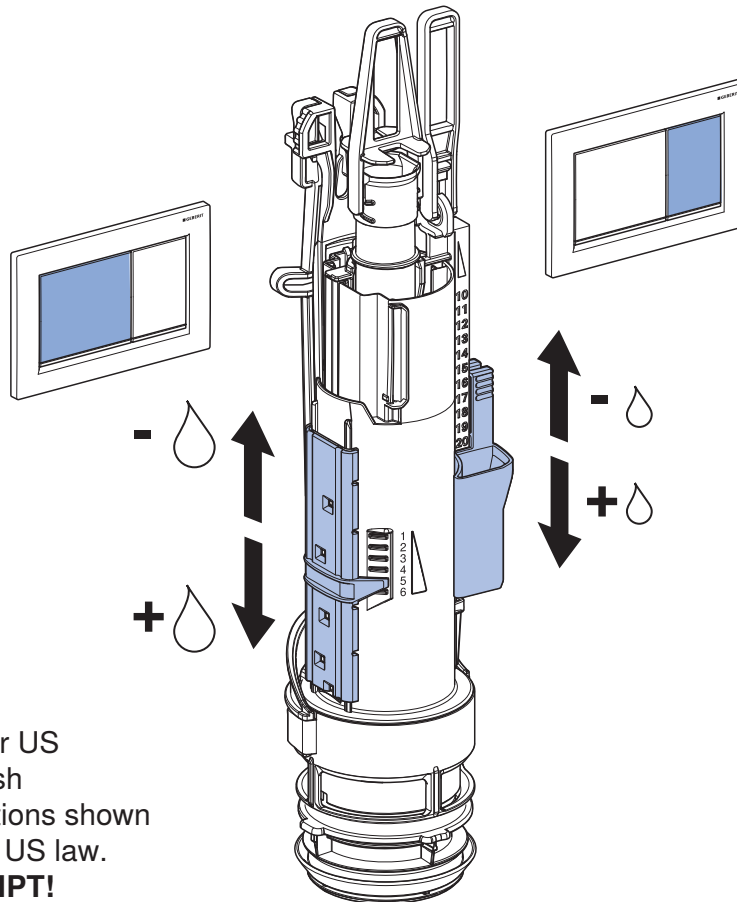
INSTALLATION MANUAL

MONTAGEANLEITUNG
INSTRUCTIONS DE MONTAGE
ISTRUZIONI PER IL MONTAGGIO

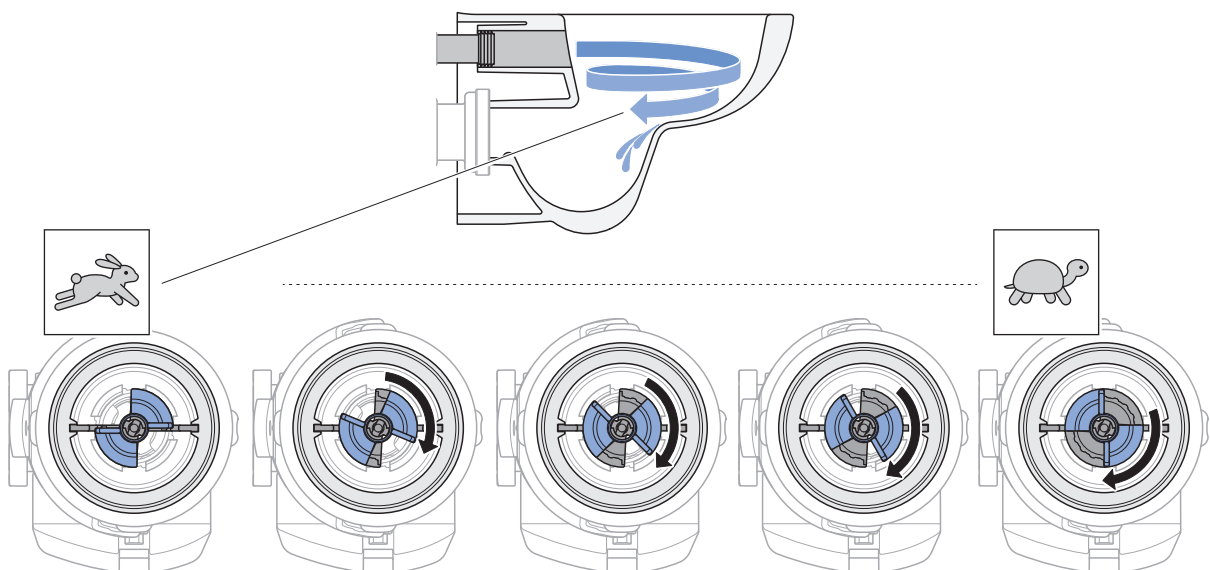


970.351.00.0(02)



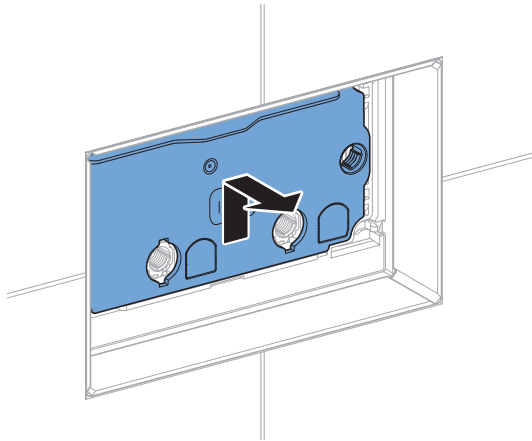
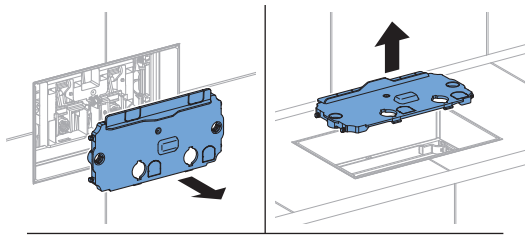


NOTE:
Not applicable for US
installations. Flush
volume modifications shown
are a violation of US law.
DO NOT ATTEMPT!

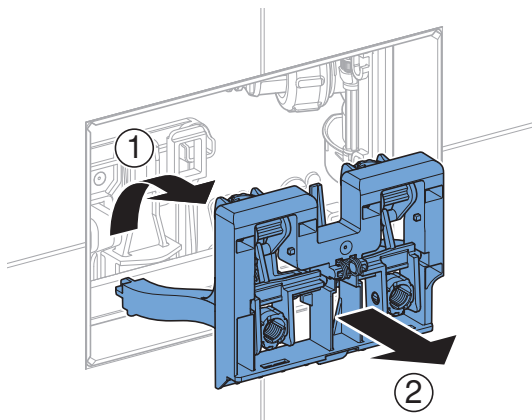
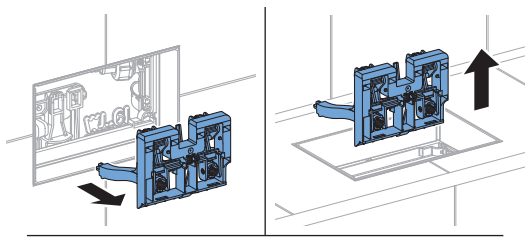




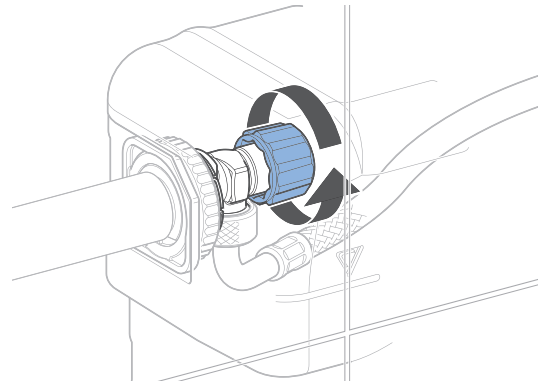
1



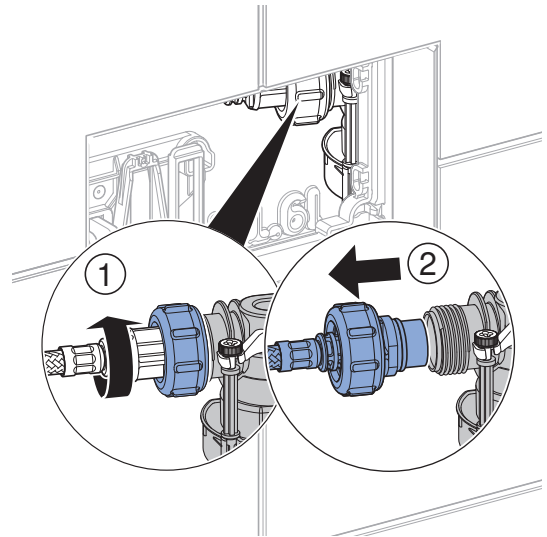
2



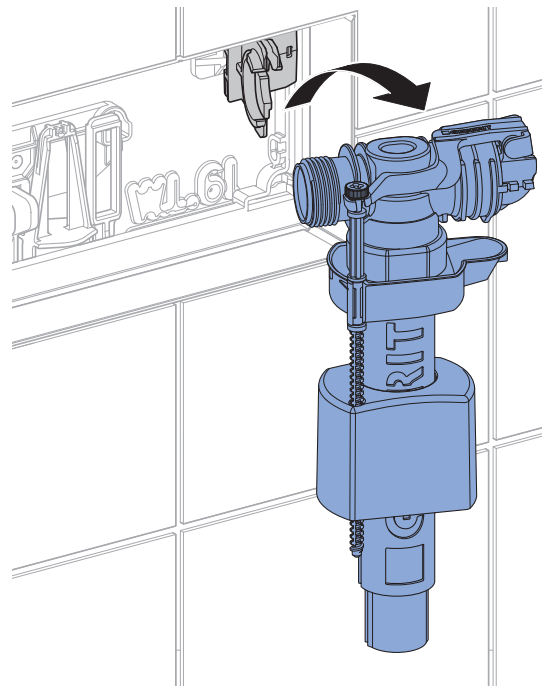
i



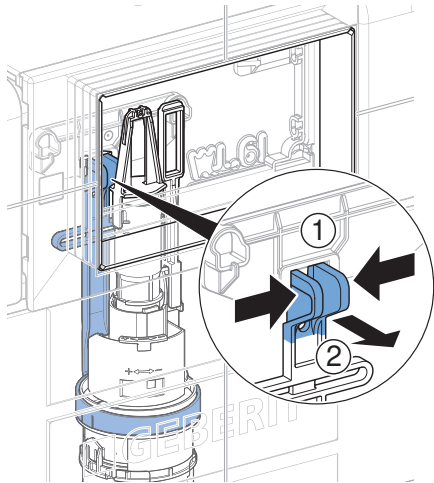
3



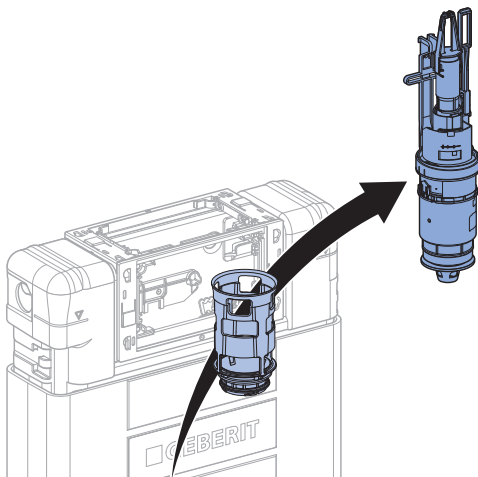
4



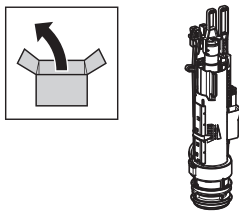
5



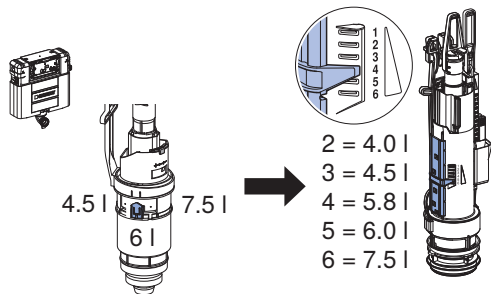
6



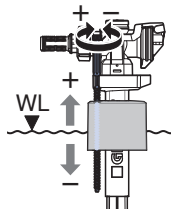
7



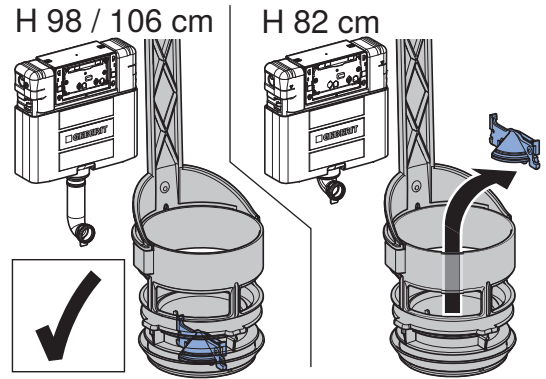
i



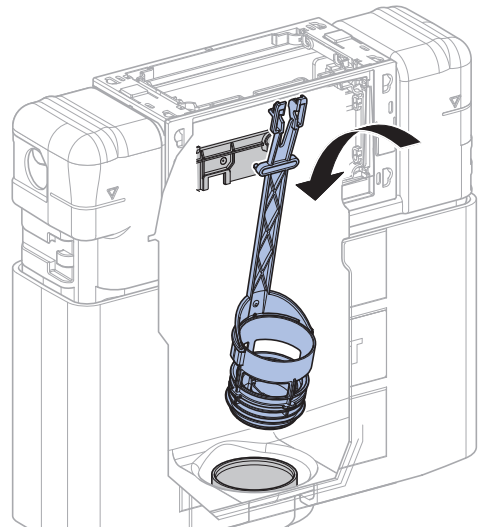
NOTE:
Not applicable for US installations. Flush volume modifications shown are a violation of US law. **DO NOT ATTEMPT!**



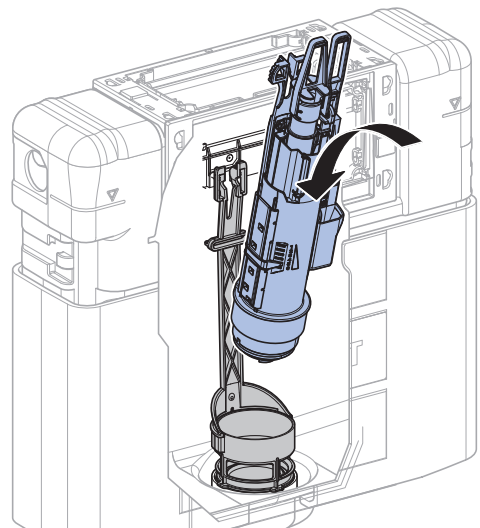
8



9



10



Geberit International AG
Schachenstrasse 77, CH-8645 Jona
documentation@geberit.com
www.geberit.com